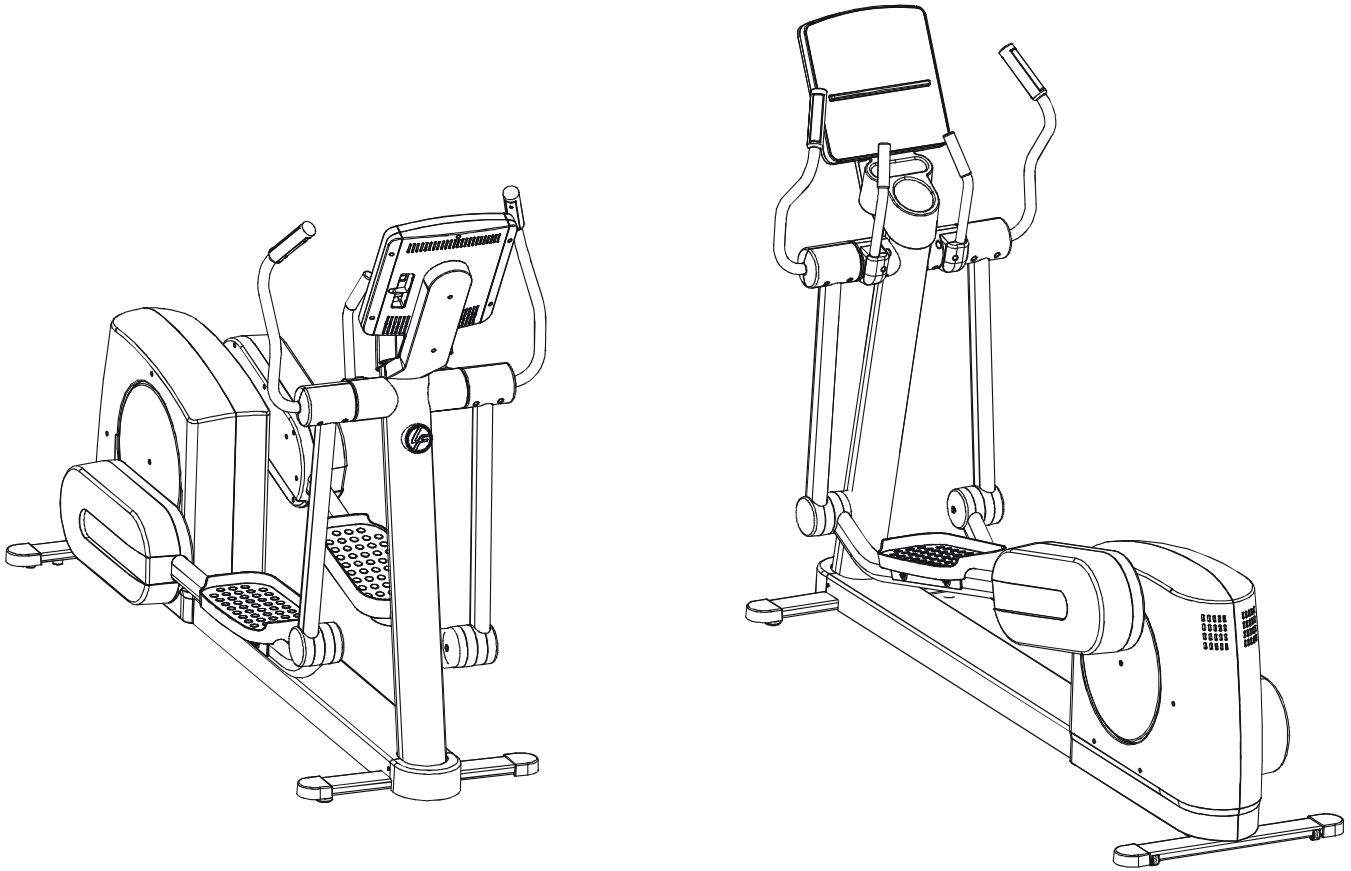


LifeFitness

ARCTIC SILVER CROSS-TRAINER 90XW-0XXX-02



Customer Support Services **PARTS MANUAL** revised 30 Jul 2008

ARCTIC SILVER 90XW
REFERENCES

90XW-0XXX-02
S/N AWE100000 and UP

OPERATION MANUAL	M051-00K62-A111
SERVICE MANUAL	M051-00K62-A060
TOUCH UP PAINT: SPRAY CAN .5 OZ BOTTLE W/APPLICATOR .33 OZ PEN	0017-00008-0204 0017-00008-0205 0017-00008-0206
PLUG IN OPTION 120/60	GK62-00002-0018
PLUG IN OPTION 240/50 UK	GK62-00002-0019
PLUG IN OPTION 240v AUS	GK62-00002-0020
PLUG IN OPTION 230/50 CONT	GK62-00002-0021
TELEMETRY KIT	GK63-00002-0002
POWER CABLE W/BRACKET ASSY. ASSEMBLY CONSISTS OF: 1) COAX CABLE 2) POWER EXTENSION CABLE 3) ACCESS PANEL BRACKET 4) F TYPE CONNECTOR 5) PLASTIC GROMMET -(QTY. 2)	AK62-00210-0000 AK32-00020-0002 AK32-00078-0001 0K62-01179-0001 0017-00021-2846 0017-00042-0754
CRANKSHAFT W/BEARINGS KIT	GK62-00002-0028
HARDWARE BAG	AK62-00152-0001

NOTE: ADDING THE BOLT ON LCD SCREEN TO THE 90XW-0XXX-02 MAKES THE UNIT A 90XER-0XXX-02.

	Page
CONSOLE SUPPORT & DEADSHAFT COVERS	4
HANDLEBARS AND BULLHORNS	5
CONSOLE AND RELATED COMPONENTS.....	6
UPPER FRAME HARDWARE	7
ROCKER ARMS AND PEDAL LEVERS	8
CRANK COVER AND LOWER CAPS	9
LOWER FRAME SHROUDS AND HARDWARE.....	10
PEDAL LEVER COMPONENTS	11
DRIVE MODULE COMPONENTS	12
DRIVE MODULE HARDWARE	13
CABLES	14

Note: Telemetry is an option on the 90XW.

ARCTIC SILVER 90XW

Console Support & Deadshaft Covers

90XW-0XXX-02

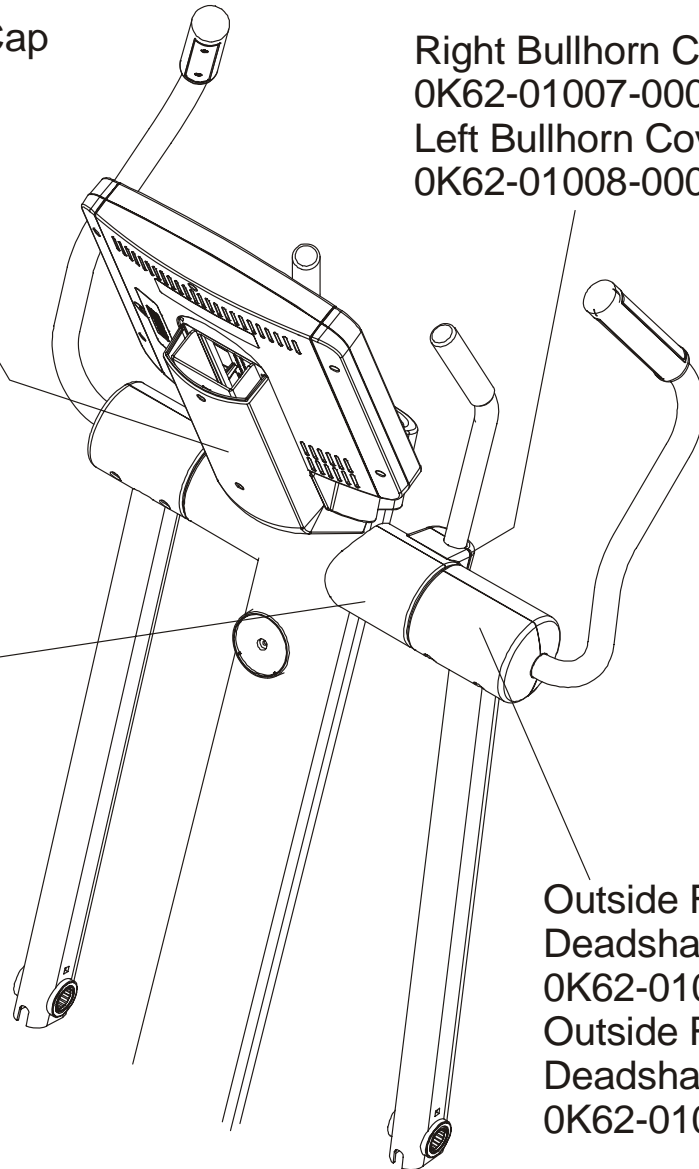
S/N AWE100000 and UP

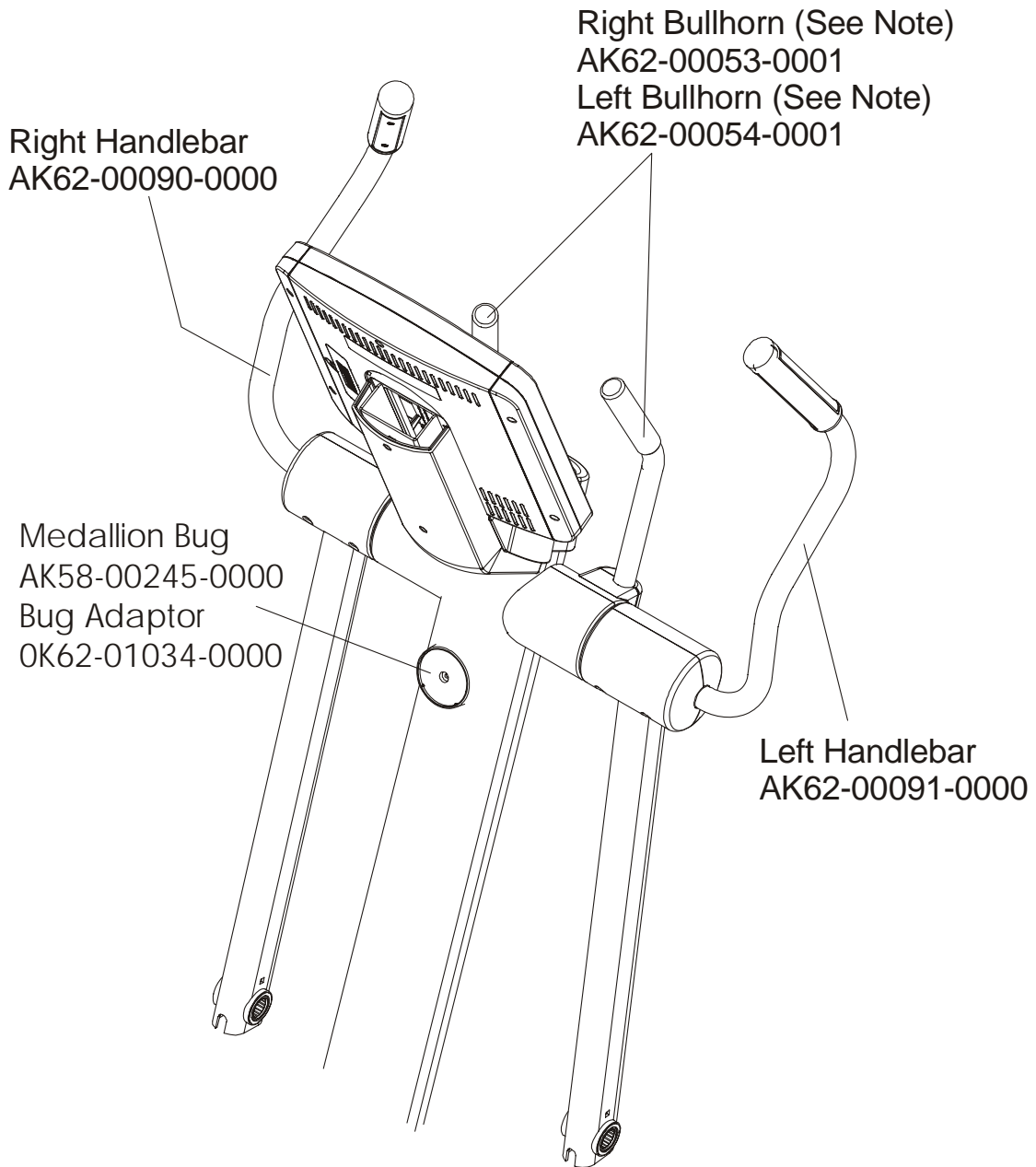
Console Support
AK62-00123-0000
Console Support Cap
0K62-01030-0000
Console Support
Shroud
0K62-01023-0000

Right Bullhorn Cover
0K62-01007-0001
Left Bullhorn Cover
0K62-01008-0001

Right Inside
Deadshaft Cover
0K62-01010-0000
Left Inside
Deadshaft Cover
0K62-01011-0000
2-Front Inside
Deadshaft Cover
0K62-01009-0000

Outside Front
Deadshaft Cover (2)
0K62-01013-0000
Outside Rear
Deadshaft Cover (2)
0K62-01012-0000



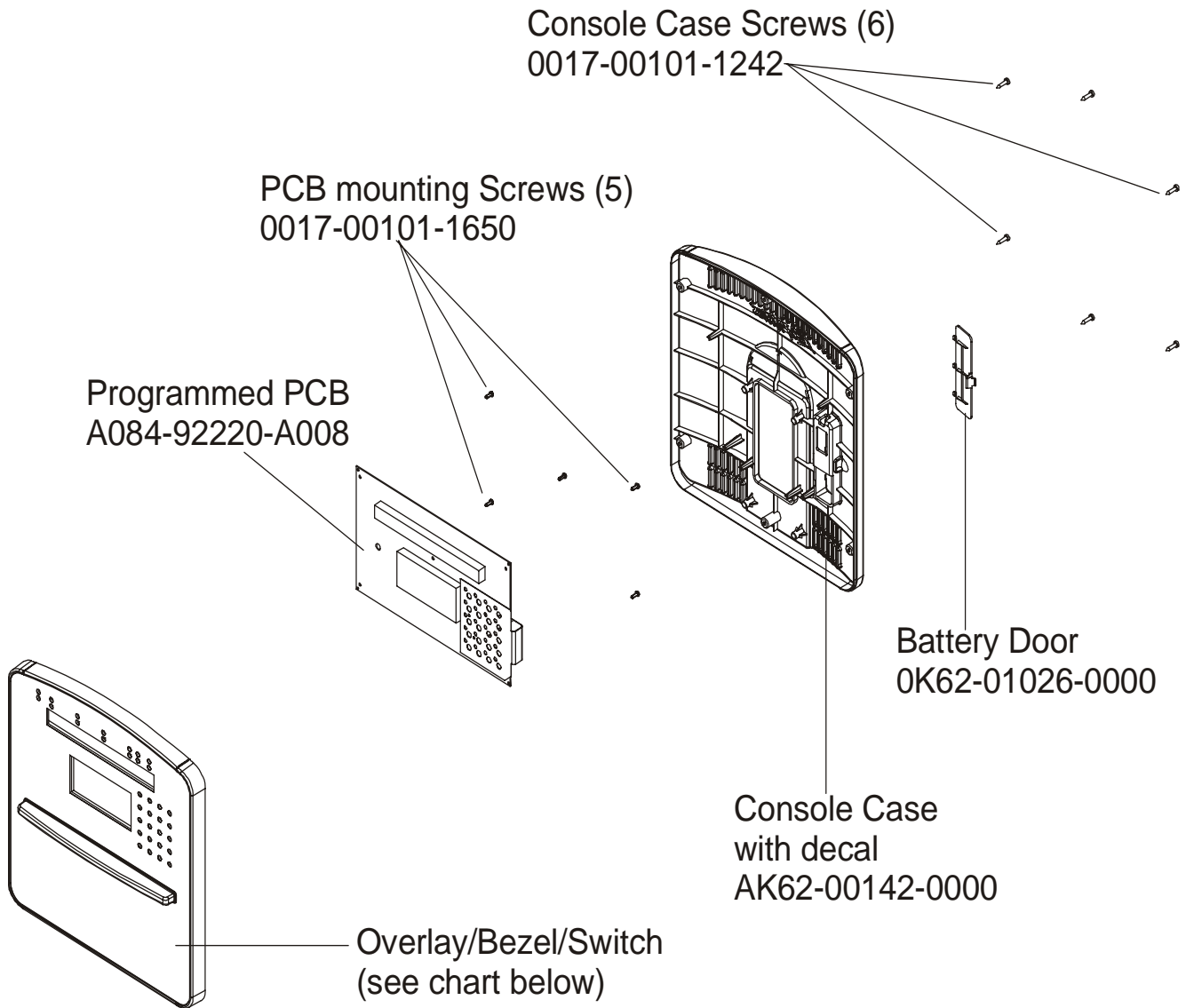


NOTE: The Right Bullhorn Assembly consists of: AK62-00057-0001 Bullhorn, OK62-01136-0000 Grip, and OK62-01199-0000 Gasket.

NOTE: The Left Bullhorn Assembly consists of: AK62-00058-0001 Bullhorn, OK62-01136-0000 Grip and OK62-01199-0000 Gasket

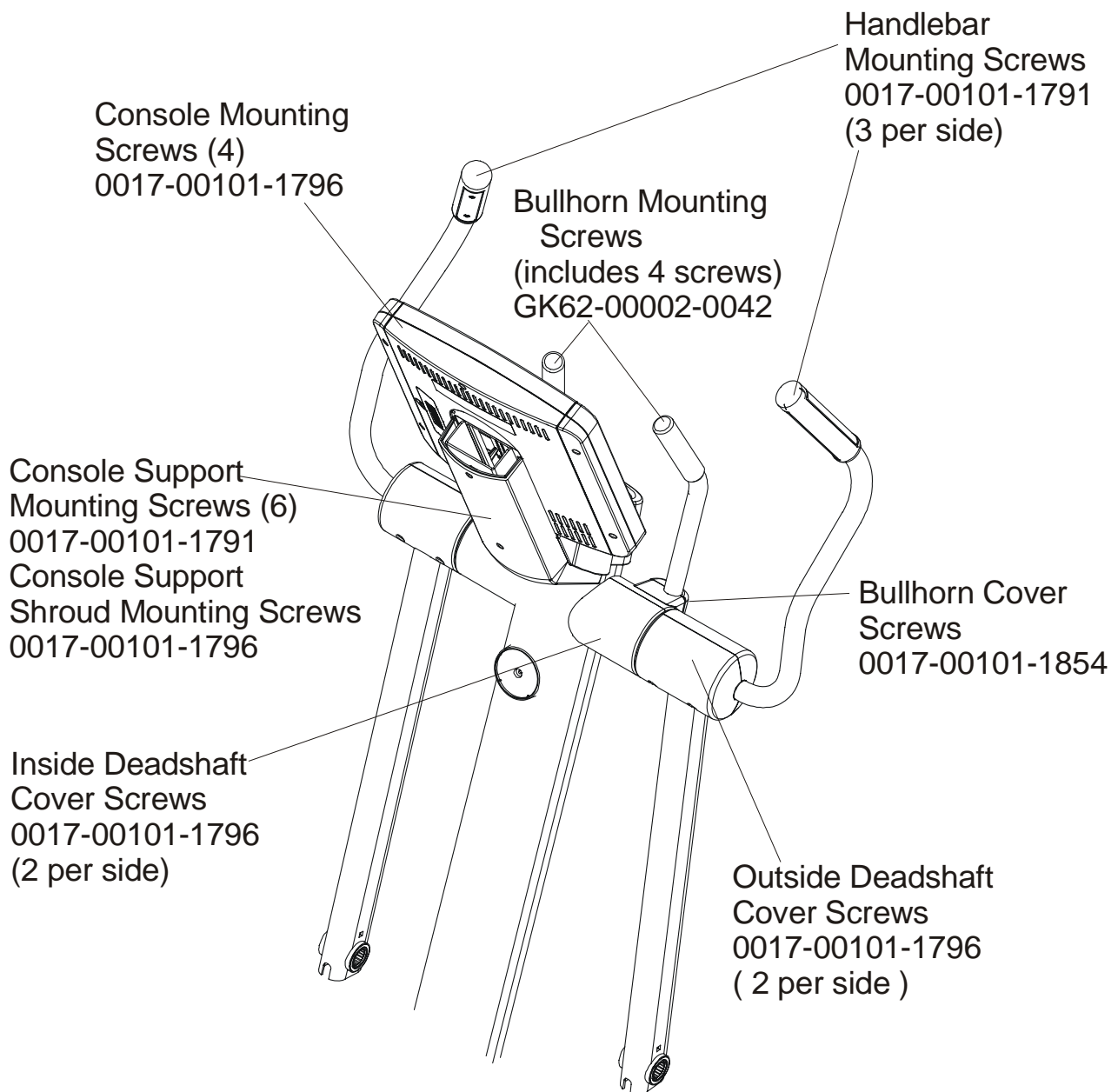
ARCTIC SILVER 90XW
Console & Related components

90XW-0XXX-02
S/N AWE100000 and UP



CONSOLE	OVERLAY/BEZEL/SWITCH	LANGUAGE
AK62-00151-0001	AK62-00189-0001	Eng + Met
AK62-00151-0003	AK62-00189-0003	Ger/Met
AK62-00151-0004	AK62-00189-0004	Spn/Met
AK62-00151-0006	AK62-00189-0006	Jap/Met
AK62-00151-0007	AK62-00189-0007	Frn/Met
AK62-00151-0008	AK62-00189-0008	Ital/Met
AK62-00151-0009	AK62-00189-0009	Dut/Met
AK62-00151-0010	AK62-00189-0010	Port/Met

Items Not Shown	
Accessory Tray	0K62-01022-0000
Accessory Tray Mounting Screws (2)	0017-00101-1846



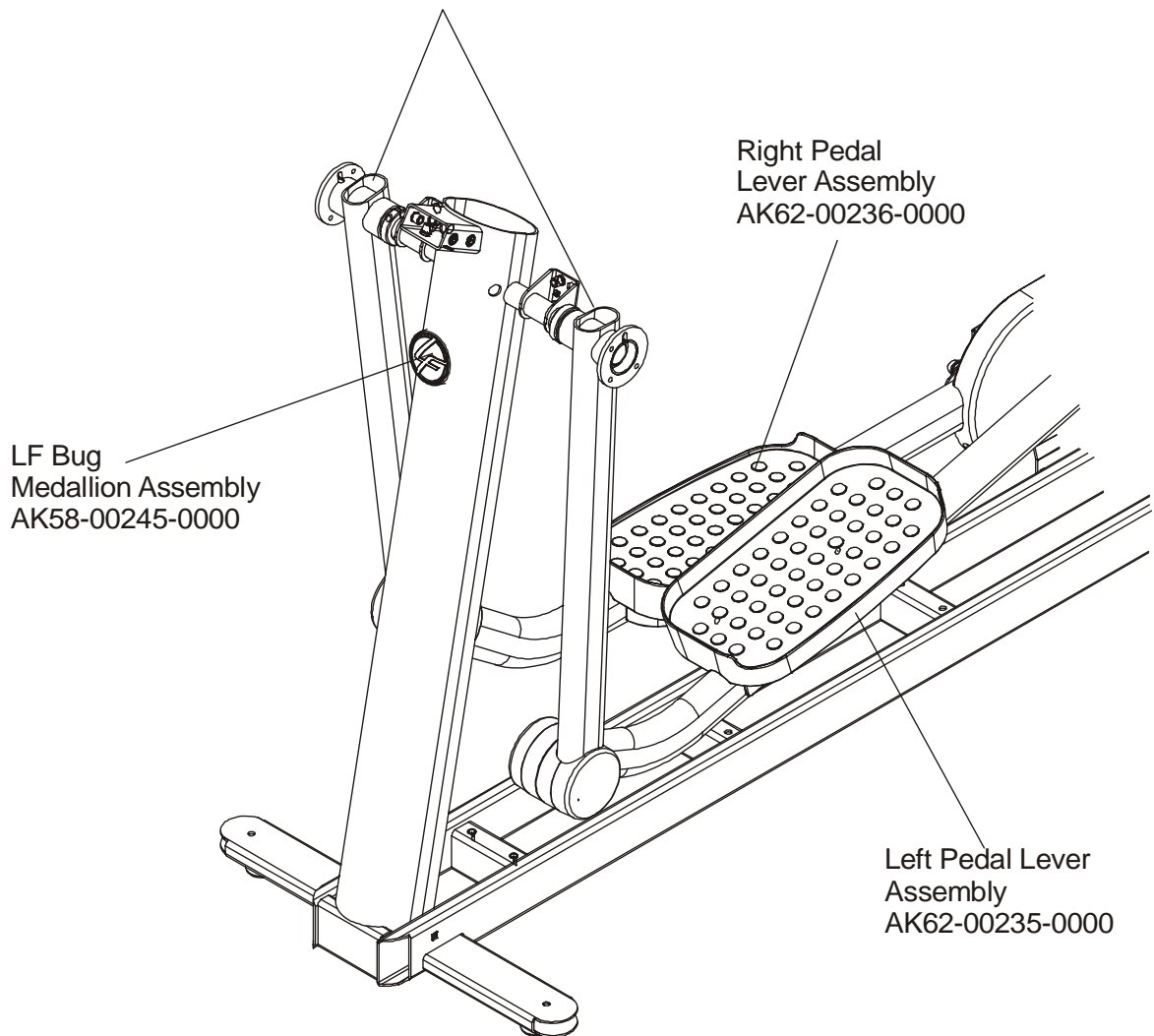
ARCTIC SILVER 90XW
Rocker Arms & Pedal Levers

90XW-0XXX-02
S/N AWE100000 and UP

Rocker Arms Kit
GK62-00002-0070
contents:

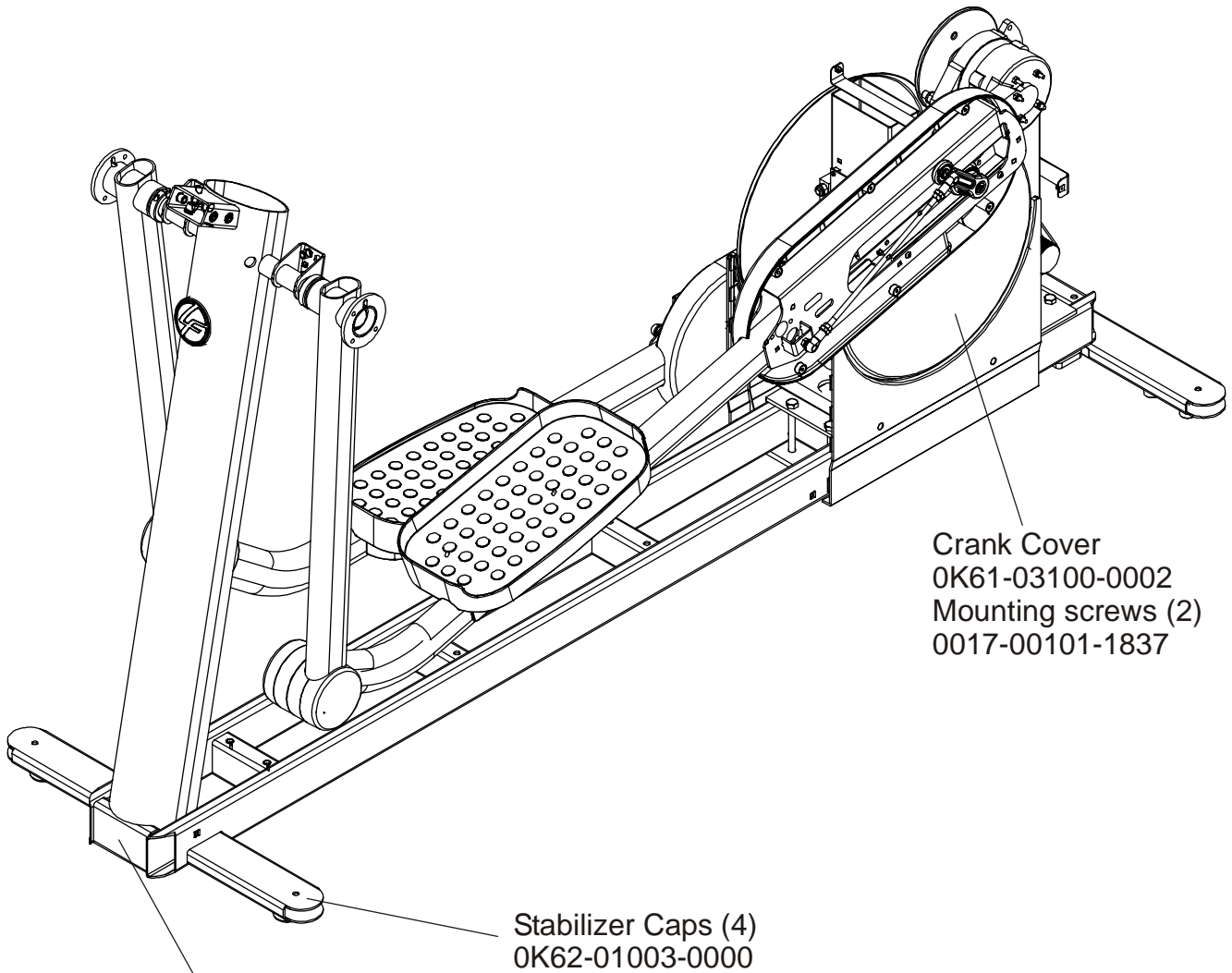
- Rocker Arms (2)
- Hardened Spacers (2)
- Oilite Washers (2)
- Retaining Rings (2)
- Loctite 620*
- Alcohol pad

Rocker Arms
AK62-00002-0070
Shaft Collar w/Screws
OK61-01259-0000



ARCTIC SILVER 90XW
Crank Cover and Lower Caps

90XW-0XXX-02
S/N AWE100000 and UP



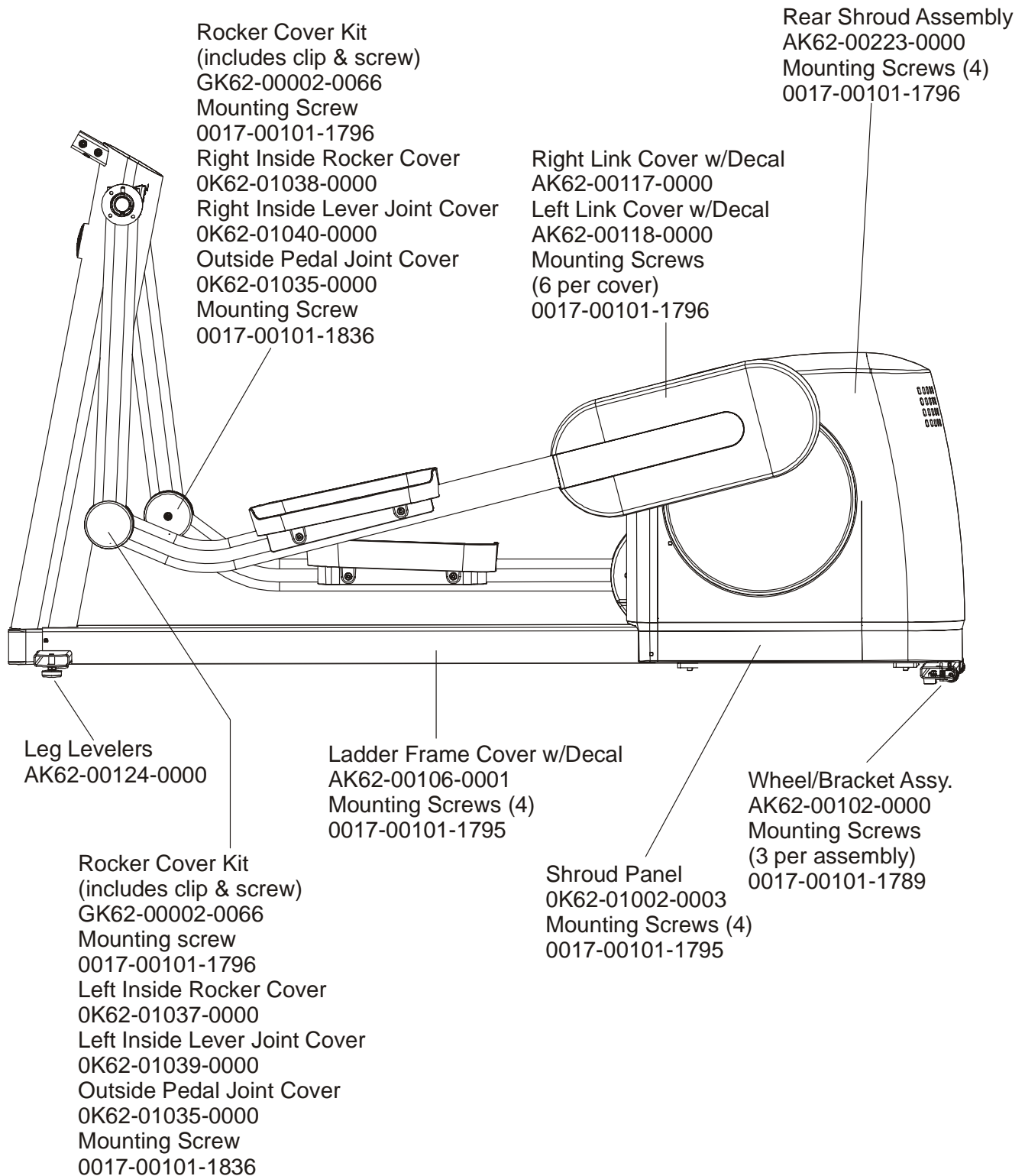
Crank Cover
OK61-03100-0002
Mounting screws (2)
0017-00101-1837

Stabilizer Caps (4)
OK62-01003-0000

Front frame Cap
OK62-01004-0000
Mounting Screws (2)
(Located on front sides of
Ladder Frame Cover)
0017-00101-1795

ARCTIC SILVER 90XW
Lower Frame Shrouds & Hardware

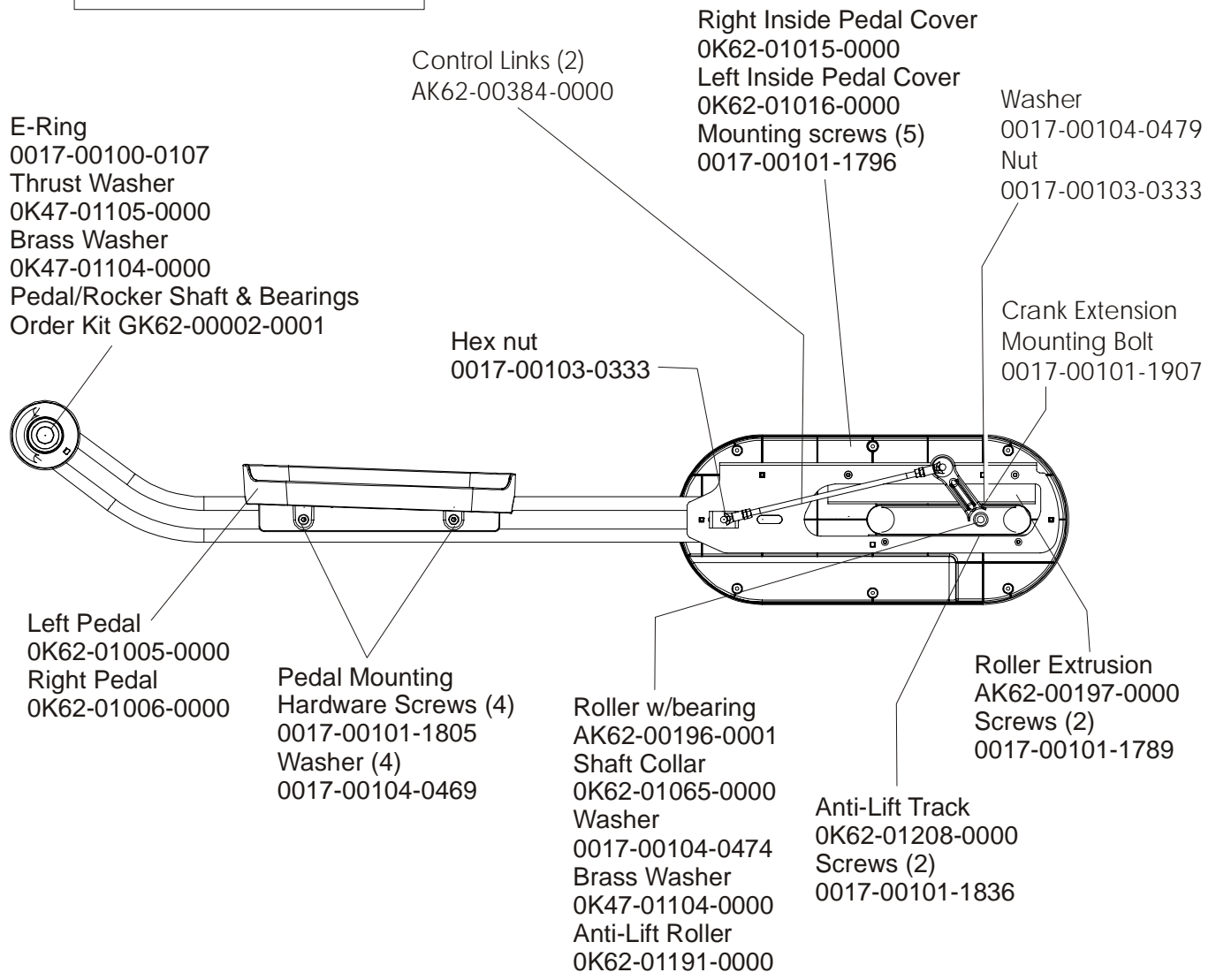
90XW-0XXX-02
S/N AWE100000 and UP



ARCTIC SILVER 90XW
Pedal Lever Assembly Components

90XW-0XXX-02
S/N AWE100000 and UP

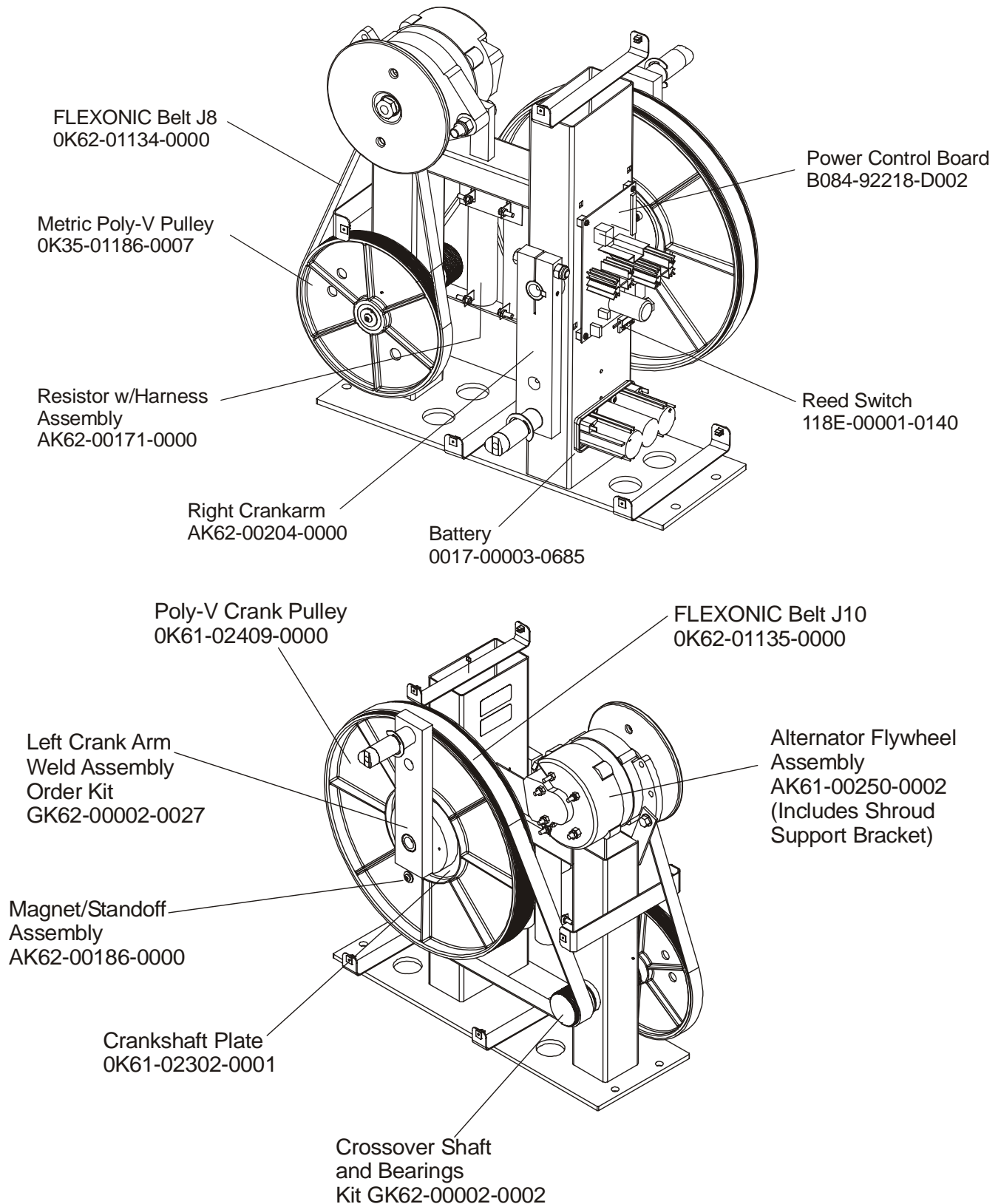
Control Link Kit
 GK62-00002-0071
 (contains 2 control links,
 part nos. AK62-00384-0000)



Note: If replacing the Tie Rod Assembly or Crank Extension for the first time, order kit GK62-00002-0015. Both sides must be replaced simultaneously in this situation.

ARCTIC SILVER 90XW
Drive Module Components

90XW-0XXX-02
S/N AWE100000 and UP



ARCTIC SILVER 90XW
Drive Module Hardware

90XW-0XXX-02
S/N AWE100000 and UP

